

PRODUCT: 10,8V, industrial use lithium batteries

BATTERY CODE: 3ICR18/65-NX

CLIENT: GENERIC INDUSTRIAL USE

Revision	Date	Person Responsible	Detail
01	12/10/06	LC	Initial specification

Reference	Associated documents	Detail

ING-001-F08-01 Page 1 de 10	Completed by: L. C. Quality Control	Approved by: E.J.C Development Manager
--------------------------------	---	--

SUBJECT INDEX

1.- General

2.- Product Description

3.- Battery's electrical specification

- 3.1.- Nominal tension
- 3.2.- Capacity
- 3.3.- Impedance
- 3.4.- Operating environment
- 3.5.- Charging and discharging conditions
- 3.6.- Battery diagram

4.- Description of battery's components

- 4.1.- Cells
- 4.2.- Protection set
 - 4.2.1- Protection set's electrical circuit
 - 4.2.2.- Protection set's electrical specifications
 - 4.2.3.- Protection set's mechanical specifications
- 4.3.- Intelligent measuring circuit (OPTIONAL)
 - 4.3.1.- Measuring circuit's electronic specifications
 - 4.3.2.- Diagram of the intelligent version of the battery
 - 4.3.3.- Intelligent circuit's mechanical specifications
- 4.4.- Telemetry and access to the intelligent battery's parameters (OPTIONAL)
 - 4.4.1.- Communication Circuits with host controller
 - 4.4.2.- Diagram of battery with the communication system
 - 4.4.3.- Mechanical characteristics of the communication circuit

5.- Battery's mechanical structure

ING-001-F08-01 Page 2 de 10	Completed by: L. C. Quality Control	Approved by: E.J.C Development Manager
--------------------------------	---	--

1.- General

This specification describes the Lith ion batteries from the 3ICR18/65-NX series, intended for generic industrial use

N: It will vary depending on the number of sets per pack.

X: Used to demonstrate the difference in mounting geometry

2.- Product description

The battery is made up of four rows of series/parallel Lith ion 2200mAh prismatic cells. In special cases 1900mAh or 2400mAh of the same dimensions can be used. The standard pack comes equipped with the CPR-LI34-NG3 protector.

3.- Battery's electrical specification

3.1.- Nominal Tension

Measurement after a discharge at $I = 0,5C$ up to **D.O.D.** of 50%:

$$V_{\text{nominal}} = 10,8 \text{ V}$$

- Taking C as the pack's nominal capacity. This means that a discharge of a 0,5C pack at $C = 6,6\text{Ah}$ implies a 3,3A current
- D.O.D: Extent of discharge. This means to which percentage of the nominal capacity the battery has discharged.

3.2.- Capacity

Charging condition for measurement: $I = 0,2C$ with a voltage of 12,75V until the charge current lowers 0.02C. Temperature 25°C (CCCV charge).

Charging conditions for measurement: $I = 0,2C$ to a minimum voltage of 9V.

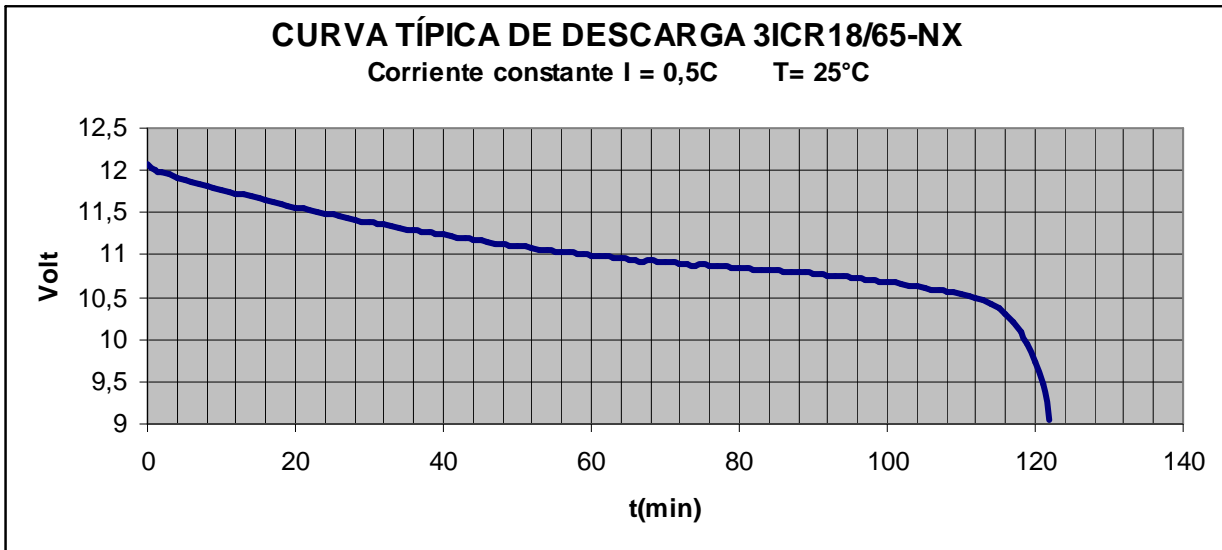
PACK CODE	C (Ah)
3ICR18/65	2,2
3ICR18/65-2X	4,4
3ICR18/65-3X	6,6
3ICR18/65-4X	8,8
3ICR18/65-5X	11

Capacity dependency with temperature for cells charged at 25°C and discharged at the temperatures indicated in accordance with the aforementioned conditions:

Discharge Temperatures				
	-10°C	0°C	25°C	60°C

ING-001-F08-01 Page 3 de 10	Completed by: L. C. Quality Control	Approved by: E.J.C Development Manager
--------------------------------	---	--

Relative capacity	70%	90%	100%	95%
--------------------------	-----	-----	------	-----



3.3.- Impedance

Measurement at 10,8V tension and at a frequency of 1kHz:

$Z < 90 \text{ m}\Omega$ (each cell) for cell 18650

3.4.- Operating environment

Temperature and humidity limits within which the battery can be used:

Condition	Temperature min / max	Detail
Charge	0°C to 45°C	
Discharge	-20°C to 60°C	
Storage	-20°C to 60°C	Less than 1 month
Storage	-20°C to 45°C	Less than 3 months
Storage	-20°C to 20°C	Less than 1 year

Note 1: In the storage conditions mentioned in the table above, the percentage of recoverable capacity of $C_{rec} > 80\%$ is guaranteed, on the understanding that C_{rec} :

C_{rec} = Discharge time after storage/initial discharge time

In all cases the relative operating environment humidity should be between 0 and 90% (without submerging the battery)

ING-001-F08-01 Page 4 de 10	Completed by: L. C. Quality Control	Approved by: E.J.C Development Manager
--------------------------------	---	--

3.5.- Charging and discharging conditions

3.5.1.- Charge

The pack should be charged using a CC/CV (Constant current/Constant Volt). This means that during the first part of the charge the current should be limited to a value inferior to I_{Cmax} until the tension reaches a value at which the current reduces itself from I_{Cmax} . From this moment on the tension should be limited to a value inferior or equal to V_{Cmax} . The I_{Cmax} and V_{Cmax} values for the pack referred to in this specification are:

$$I_{Cmax} = 1C$$

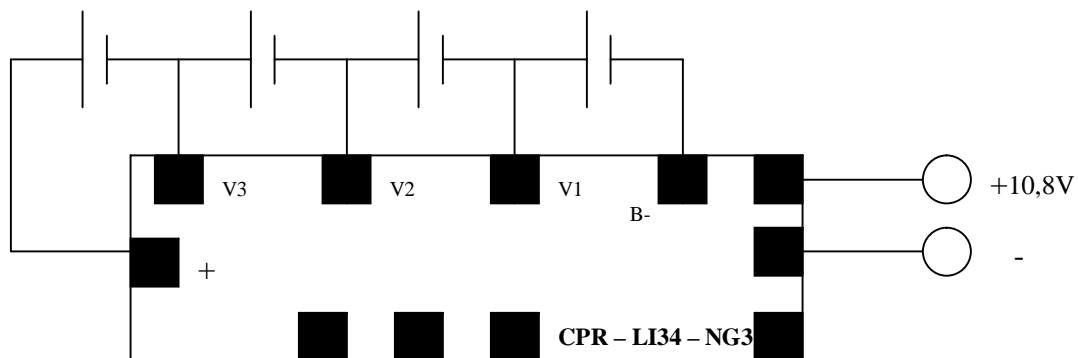
$$V_{Cmax} = 12,8V$$

3.5.2.- Discharge

The maximum discharge current for I_{Dmax} is:

$$I_{Dmax} = 2C \text{ continuous between } 0^{\circ}C \text{ \& } 50^{\circ}C$$

3.6.- Battery diagram



4.- Description of battery's components

4.1.- Cells

The cell models are 18650 and their main characteristics are:

Parameter	Cell 18650-2200	Cell 18650-2400	Cell 18650-1900
Nominal Tension	3,7V	3,7V	3,7V
Nominal Capacity	2200mAh	2400mAh	1900mAh
Tension at end of discharge	2,7V	2,7V	2,7V
Standard charge current	1075mA	1200mA	950mA
Maximum charge current	2200mA	2400mA	1900mA
Maximum discharge current	4300mA continuous	4600mA	2000mA
Internal resistance	< 90mΩ	<90mΩ	<90mΩ

4.2.- Protection set

4.2.1- Protection set's electrical circuit

The CPR-LI34-NG3 protection set is a monitoring and control circuit, which permits the measuring, and management of up to 4 Lith ion cells so that the charge and discharge parameters remain within the manufacturers specified values. At the same time, it controls the flow of current through the system, differentiating peaks in demand from stable demand, and sets a protection threshold so as to avoid excesses in current, which could damage the circuit.

4.2.2.- Protection set's electrical specifications (@ 25°C)

4.2.2.1- Maximum electrical operating limits

- Maximum input voltage: Max 20VDC
- Maximum charge current: Max 7 A continuous
- Maximum discharge current: Max 7 A continuous

ING-001-F08-01 Page 6 de 10	Completed by: L. C. Quality Control	Approved by: E.J.C Development Manager
--------------------------------	---	--

4.2.2.2 – Environmental Conditions

- Operating: Temperature: -20°C to +70°C
Humidity: 0 to 90% (without submerging in water)
- Storage: Temperature: -40°C to +85°C
Humidity: 0 to 90% (without submerging in water)

4.2.2.3 – Circuit protector’s operating limits

- Over voltage protection (OVP): 4,25V ± 0,025V
- Hystereses voltage protection relay (HVPR): 200mV± 50mV
- Over voltage protection delay (OVP): 1 sec
- Under-voltage protector (UVP): 2,4V ± 0,1V
- Under-voltage protector recuperation (UVPR): 3V ± 80mV
- Response time of recuperation (UVPR): 100 msec
- Over current protection (OCP): 7 A
- Short-circuit relay delay: 10 msec

4.2.2.4 – Current consumption

Power consumption

- In operation: Maximum 5µA
- In off mode: Maximum 1µA

4.2.3.- Protection set’s mechanical specifications

A self-contained PCB with double layer fibreglass and epoxy resin, mounted using SMD technology. It is fixed to the pack using the metallic tabs used to solder the cells’ electrodes. The size of the PCB is 55mm X 18mm.

4.3.- Intelligent measuring circuit (OPTIONAL)

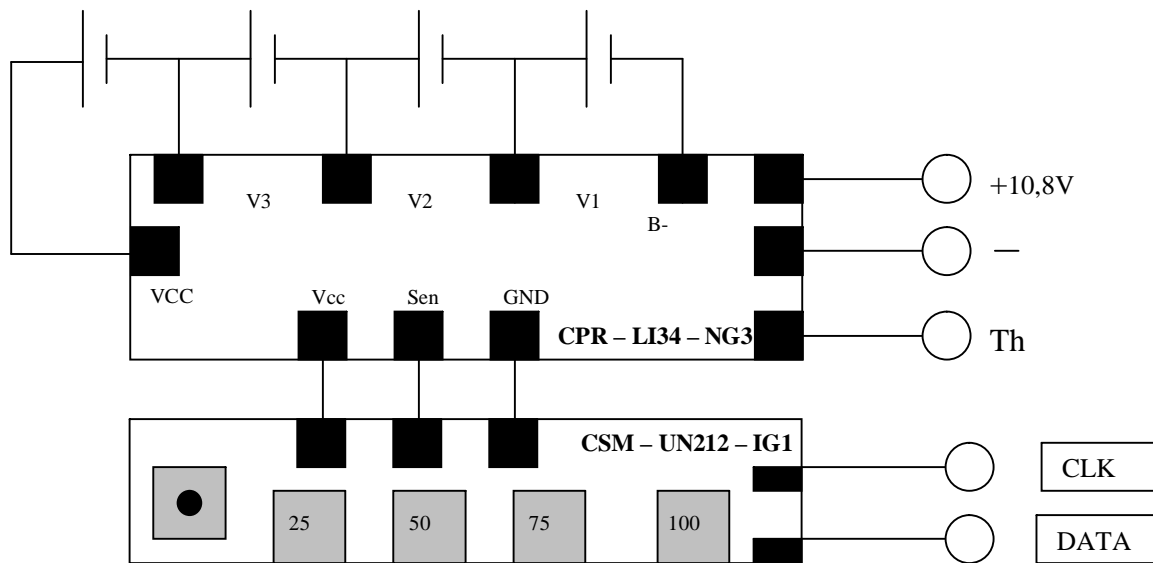
4.3.1.- Measuring circuit’s electronic specifications

The CSM-UN212-IG1 intelligent charge measuring set’s main function is to precisely control the amp-hrs charge stored in the battery. To be able to do this it receives information from the protection board, which in turn allows it to identify the magnitude and direction of the circulating current. This information allows it to constantly calculate the effective charge stored by the battery. It also gives information about the system’s operating temperature, the self-discharge suffered by cells during that time and the number of charge and discharge cycles that the battery has been subjected to. The information about the amount of charge stored by the battery is shown in percentage by 4 leds and an external check button. Pressing the button for five seconds will illuminate the leds, which in turn will indicate the percentage of charge stored. This percentage is

ING-001-F08-01 Page 7 de 10	Completed by: L. C. Quality Control	Approved by: E.J.C Development Manager
--------------------------------	---	--

not calculated by the pack tension, but by the effective amp-hrs calculated by the intelligent system. In the case of using an intelligent charger with SMBus, the battery will automatically report its characteristics upon being connected and will demand the appropriate charge and current it requires from the charger. On the contrary, the battery can be charged using any charger that meets the conditions specified in point 3.5.1

4.3.2.- Diagram of the intelligent version of the battery



4.3.3.- Intelligent circuit's mechanical specifications

A self contained PCB, its dimensions are 65mm X 20mm. Made with double layer fibreglass and epoxy resin, mounted using SMD technology.

<p>ING-001-F08-01 Page 8 de 10</p>	<p>Completed by: L. C. Quality Control</p>	<p>Approved by: E.J.C Development Manager</p>
--	--	---

4.4- Telemetry and access to the intelligent battery's parameters (OPTIONAL)

4.4.1- External battery communication circuits

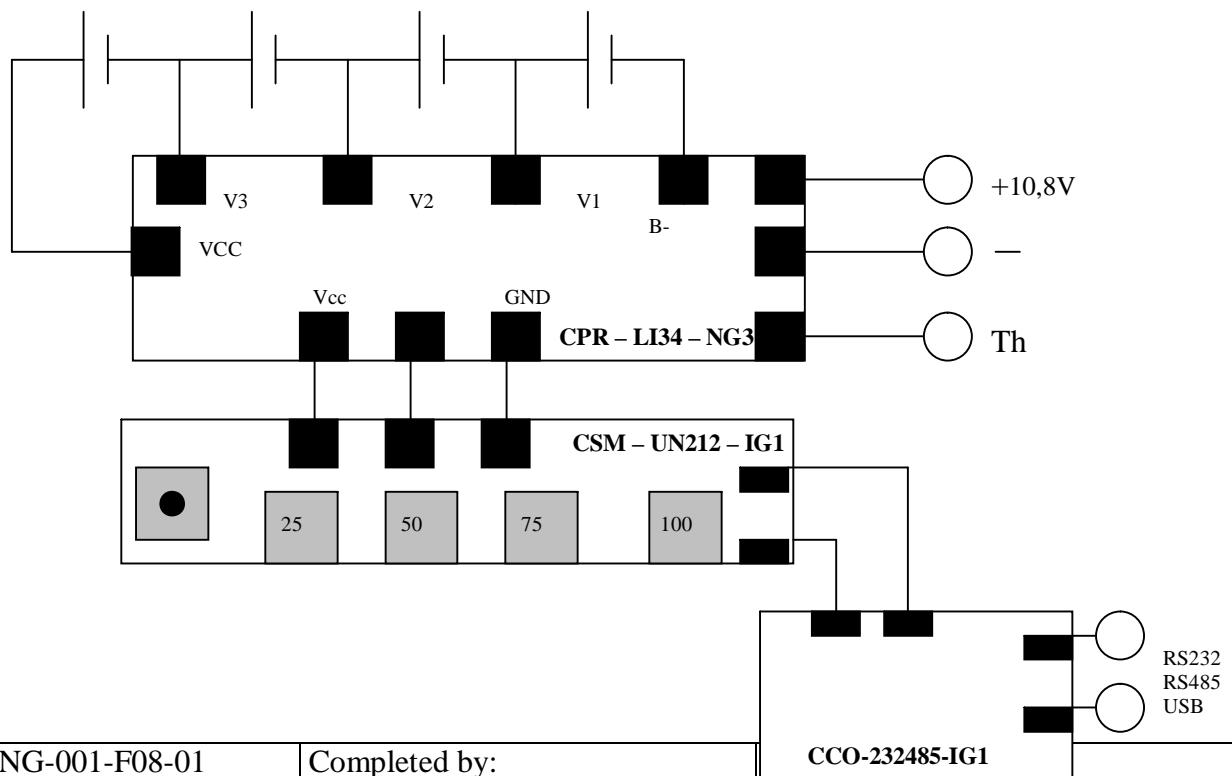
All the aforementioned parameters shown by the intelligent system can be accessed from a host controller through SMBus, RS232, RS485 or USB. The SMBus output is direct from the intelligent system, whereas the RS232 & RS485 outputs are implemented using the CCO-232485-IG1 communication accessory.

. The following parameters are accessed:

- Capacity in mAh y en % with regard to the nominal
- Instant battery tension
- Instant charge and discharge current
- Average charge and discharge current
- Remaining charge or discharge time
- Quantity of charge-discharge cycles performed
- Continual adjustment of the battery's real capacity
- Battery model, serial number, and date of manufacture

Finally, the intelligent system keeps the battery's real capacity constantly updated, recalibrating itself each charge-discharge cycle.

4.4.2. Diagram of battery with the communication system



4.4.3.- Mechanical characteristics of the communication circuit

A self contained PCB, its dimensions are 65mm X 20mm. Made with double layer fibreglass and epoxy resin, mounted using SMD technology.

4.5.- Battery's mechanical structure

The battery pack as well as its control accessories, intelligence and communication, can come with a thermocontractil/shrink wrap cover or a plastic or metal cabinet, depending on the clients specifications.

ING-001-F08-01 Page 10 de 10	Completed by: L. C. Quality Control	Approved by: E.J.C Development Manager
---------------------------------	---	--